

Fig. 11-29. Guard Block (Layout C).

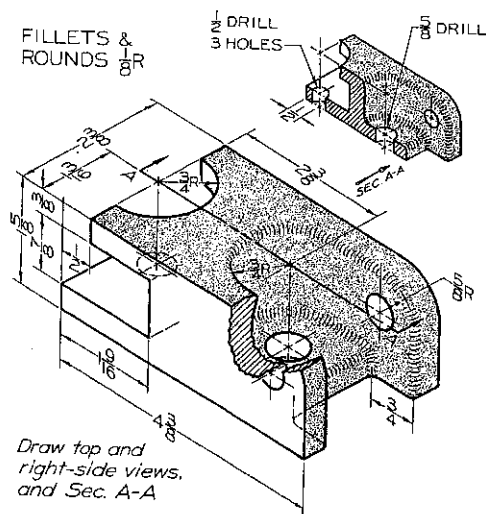


Fig. 11-30. Pivot Base (Layout C).

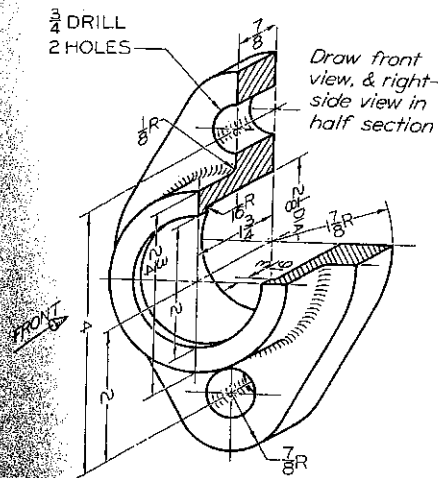


Fig. 11-31. Packing Gland (Layout C).

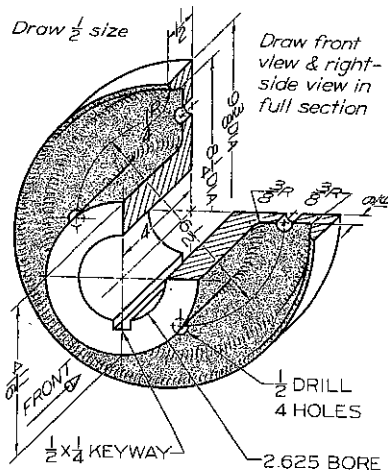


Fig. 11-32. Flange (Layout C).

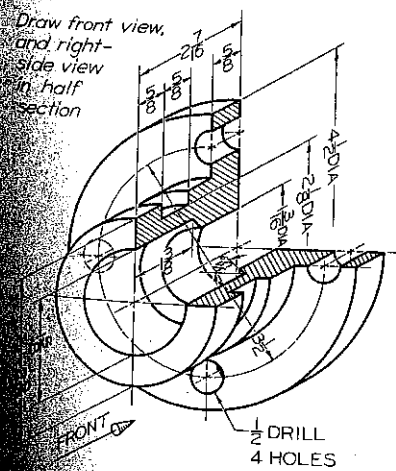


Fig. 11-33. Stuffing Box (Layout C).

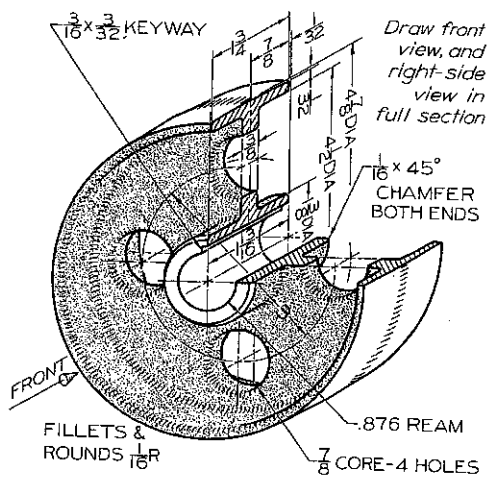


Fig. 11-34. Pulley (Layout C).

HAFT LUTCH

DRILL HOLES

Draw half section

FILLETS & ROUNDS 1/8 R

1/8 REAM

or mechanical section, with title strips