

Fig. 7-57. Trunion Block.\*

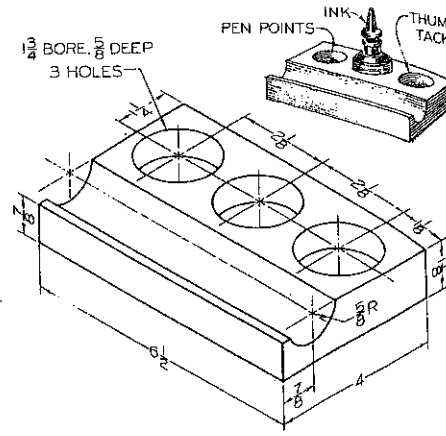


Fig. 7-58. Ink Stand.\*

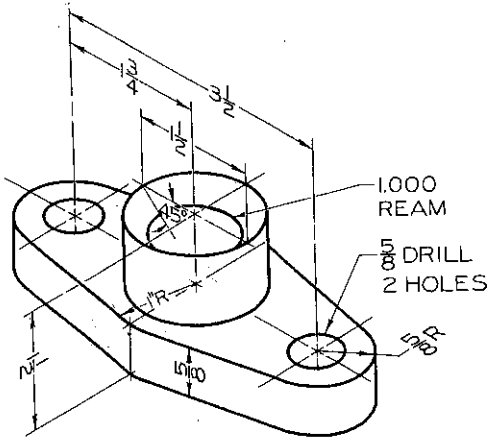


Fig. 7-59. Packing Gland.\*

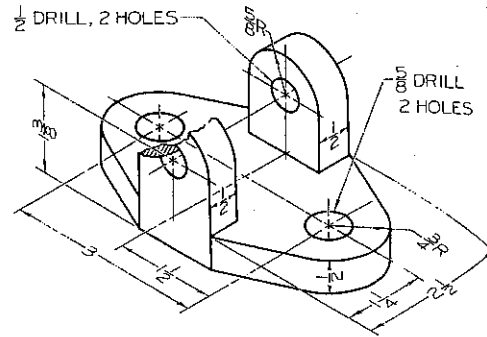


Fig. 7-60. Fastener Bracket.\*

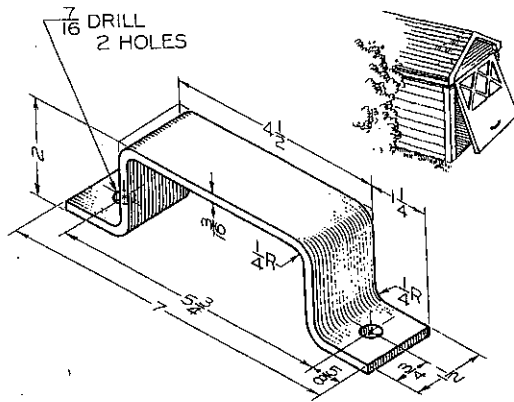


Fig. 7-61. Garage Door Handle.\*

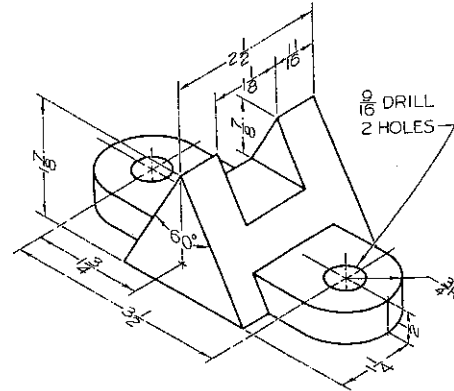


Fig. 7-62. Wedge Base.\*

\* Using Layout C (Appendix, page 474), draw necessary views with instruments. Omit dimensions unless assigned.

\* Using assigned