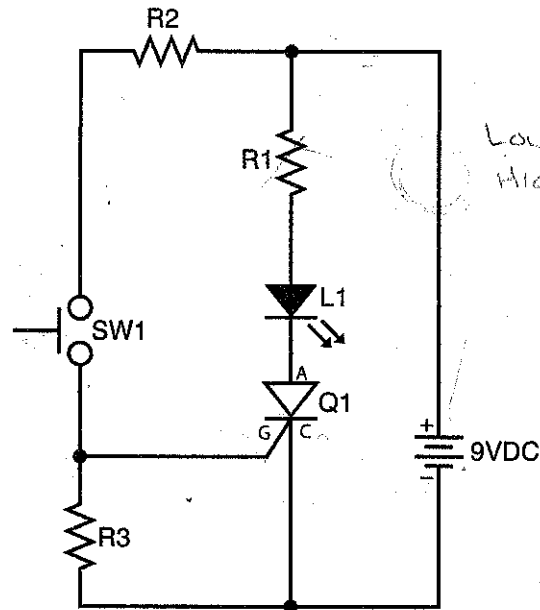


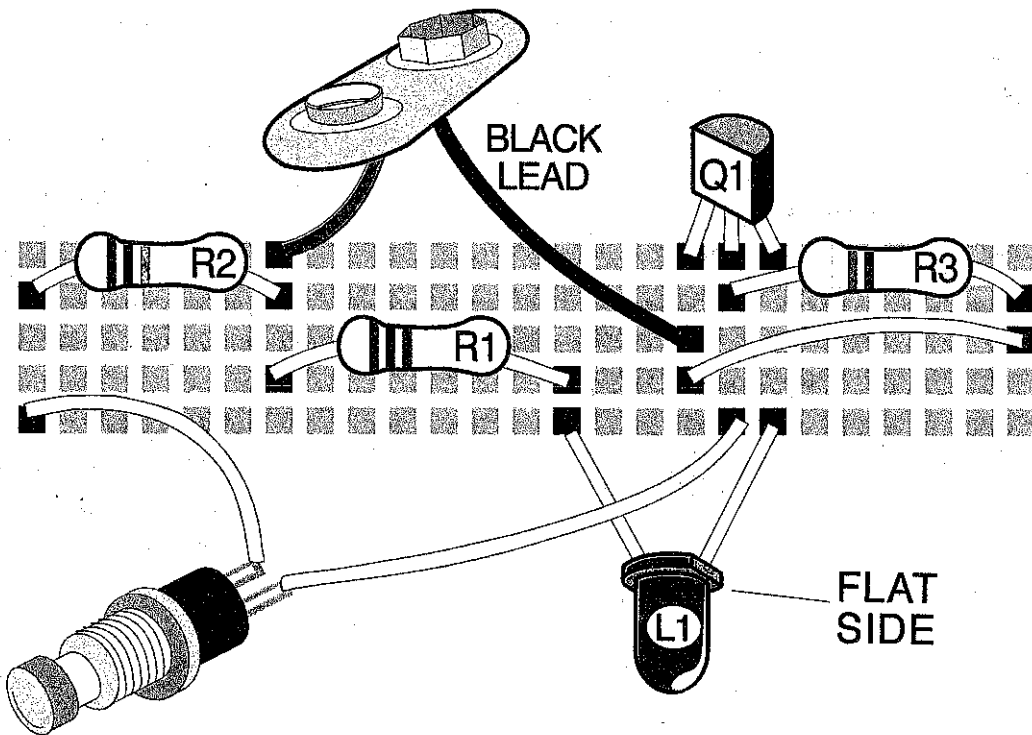
SCR LATCHING SWITCH

This electronic switch uses a special component known as a SCR (Silicon Controlled Rectifier). When you press switch SW1 the LED lights up and stays on even after the switch button is released. To reset project remove battery from snap and then attach it to snap again.



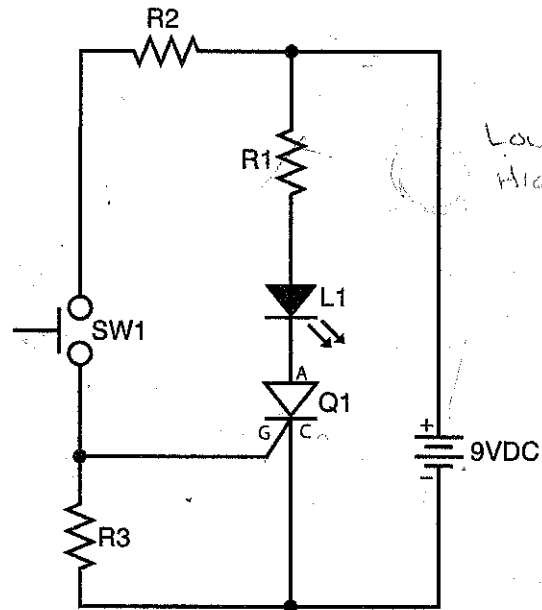
PARTS LIST

- L1----- Red LED
- Q1----- X0602 SCR
- R1----- 100Ω Resistor
- R2----- 15KΩ Resistor
- R3----- 4.7KΩ Resistor
- SW1----- Pushbutton Switch
- Misc.----- Battery Snap, 1 pc Wire



SCR LATCHING SWITCH

This electronic switch uses a special component known as a SCR (Silicon Controlled Rectifier). When you press switch SW1 the LED lights up and stays on even after the switch button is released. To reset project remove battery from snap and then attach it to snap again.



PARTS LIST

- L1----- Red LED
- Q1----- X0602 SCR
- R1----- 100Ω Resistor
- R2----- 15KΩ Resistor
- R3----- 4.7KΩ Resistor
- SW1----- Pushbutton Switch
- Misc.----- Battery Snap, 1 pc Wire

