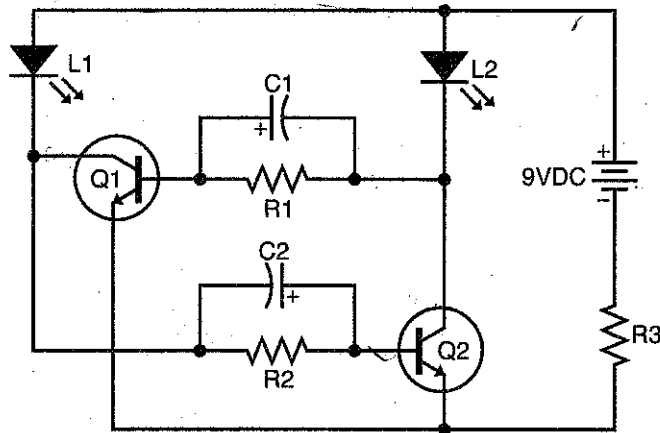


MULTIVIBRATOR LED BLINKER

This is a two transistor circuit that blinks two bright LEDs.

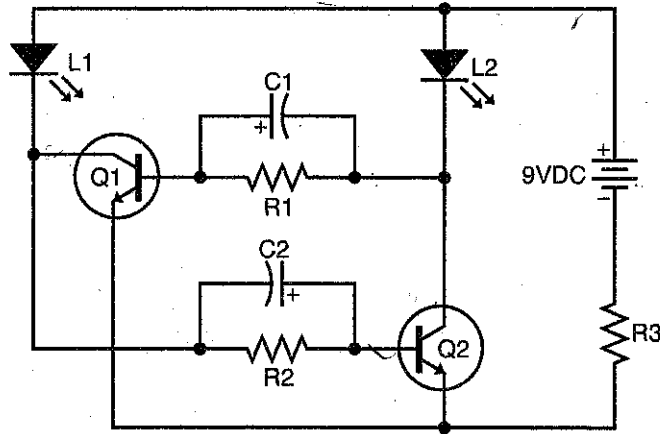


PARTS LIST

- C1, C2 ----- 10 μ F Electrolytic Capacitors
- Q1, Q2----- 2N3904 NPN Transistors
- R1, R2----- 15K Ω Resistors
- R3----- 1K Ω Resistor
- L1----- Red LED
- L2----- Green LED
- Misc.----- Battery Snap, 3pcs Wire

MULTIVIBRATOR LED BLINKER

This is a two transistor circuit that blinks two bright LEDs.



PARTS LIST

- C1, C2 ----- 10 μ F Electrolytic Capacitors
- Q1, Q2----- 2N3904 NPN Transistors
- R1, R2----- 15K Ω Resistors
- R3----- 1K Ω Resistor
- L1----- Red LED
- L2----- Green LED
- Misc.----- Battery Snap, 3pcs Wire